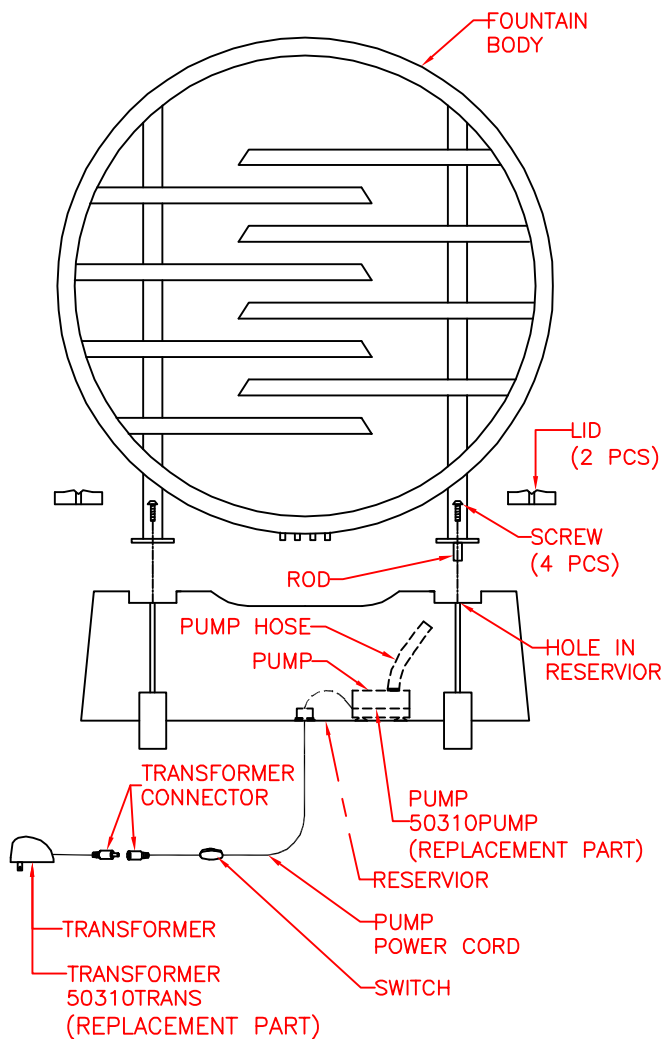


MODEL: 50311

## ASSEMBLY INSTRUCTIONS

ASSEMBLY TIME: 5 MINUTES.

READ AND SAVE THESE INSTRUCTIONS



### FRONT VIEW

AVAILABLE PARTS ARE:  
50310TRANS (TRANSFORMER)  
50310PUMP (PUMP)

### UNPACK THE FOUNTAIN

YOU SHOULD HAVE RECEIVED THE FOLLOWING PARTS IN THE PACKAGE: FOUNTAIN BODY, RESERVOIR, (4) SCREWS, (2) LIDS, TRANSFORMER, PUMP HOSE AND SUBMERSIBLE PUMP. TO PROTECT THE FINISH, PLACE ALL PARTS ON A SOFT SURFACE.

### FOUNTAIN ASSEMBLY

1. FEED PUMP HOSE UP THROUGH HOLE IN RESERVOIR AND WORK TOWARDS ROD OF FOUNTAIN BODY AS SHOWN.
2. ATTACH THE PUMP TO END OF THE ROD.
3. PLACE PUMP FLAT IN RESERVOIR.
4. PLACE THE FOUNTAIN BODY ON RESERVOIR AND SECURE WITH (4) SCREWS.
5. PLACE THE LIDS ON RESERVOIR TO COVER THE HOLES ON RESERVOIR AS SHOWN.
6. FILL RESERVOIR WITH ENOUGH WATER TO COMPLETELY SUBMERSE PUMP. (DISTILLED WATER IS RECOMMENDED BY US TO REDUCE MINERAL DEPOSITS AND BACTERIA BUILD UP.)
7. JOIN THE TRANSFORMER CONNECTORS TOGETHER AS SHOWN.
8. PLUG THE TRANSFORMER INTO SOCKET AND TURN ON AT SWITCH, YOUR NEW FOUNTAIN IS READY TO USE.

### TROUBLE SHOOTING:

1. IF YOUR FOUNTAIN DOES NOT WORK, CHECK PLUG AT THE SOCKET. MAKE SURE THE PLUG IS FULLY AND PROPERLY INSERTED INTO THE WALL OUTLET.
2. NEXT CHECK TO MAKE SURE THE OUTLET IS POWERED.
3. IF THE FOUNTAIN STILL DOES NOT WORK, PLEASE CONTACT YOUR DISTRIBUTOR OR PLACE OF PURCHASE.

### IMPORTANT PUMP INFORMATION:

PUMP MUST BE FULLY SUBMERSED IN WATER WHILE OPERATING. PLEASE SEE NEXT PAGE FOR PUMP REPLACEMENT.

### SPLASHING DISCLAIMER:

SPLASHING MAY OCCUR WHEN FOUNTAIN IS INITIALLY TURNED ON. PROTECT SURROUNDING SURFACES AS NEEDED.

### WATER:

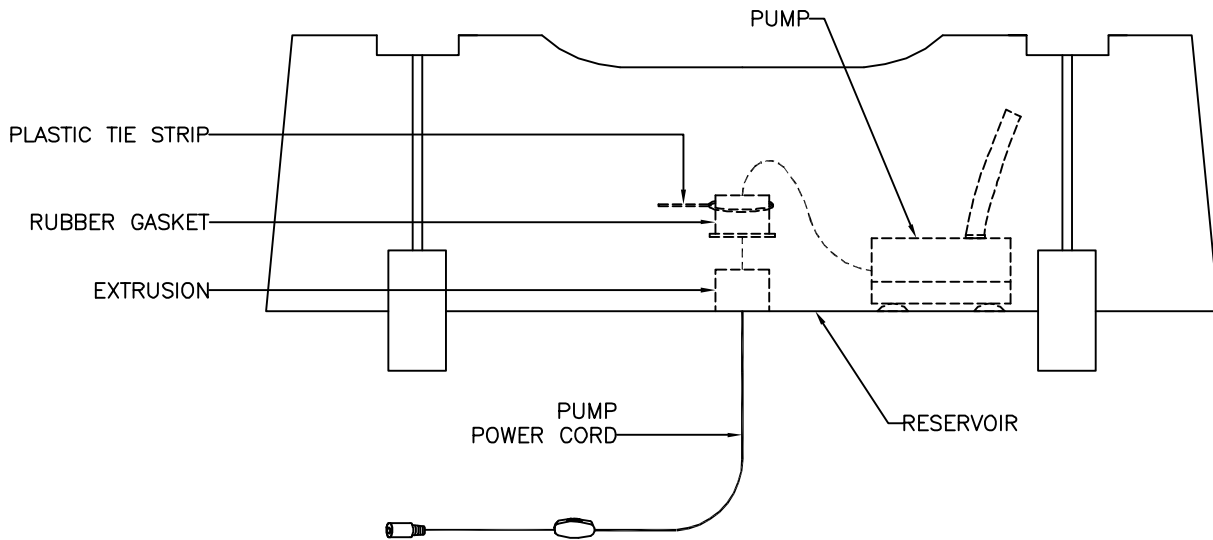
TO REDUCE MINERAL DEPOSITS AND BACTERIA BUILD UP THE USE OF DISTILLED WATER IS RECOMMENDED.

### WARNING:

\*ONCE A WEEK INSPECT FOUNTAIN, FLOOR AND ADJACENT WALL FOR MOISTURE BUILD-UP AND CLEAN AS NECESSARY. THIS IS ESPECIALLY IMPORTANT FOR HUMID ENVIRONMENTS.

\*\*THIS FOUNTAIN IS RATED FOR INDOOR USE ONLY.

\*\*\*THIS UNIT MUST BE CONNECTED TO A SUPPLY CIRCUIT THAT IS PROTECTED BY A GROUND FAULT CIRCUIT INTERRUPTER (GFCI). THE GFCI SHOULD BE TESTED ON A ROUTINE BASIS. TO TEST THE GFCI, PUSH THE TEST BUTTON. THE GFCI SHOULD INTERRUPT POWER. PUSH THE RESET BUTTON. POWER SHOULD BE RESTORED. IF THE GFCI FAILS TO OPERATE IN THIS MANNER, THE GFCI IS DEFECTIVE.



### PUMP REPLACEMENT:

1. UNPLUG THE FOUNTAIN.
2. DISASSEMBLE THE FOUNTAIN AS NECESSARY TO EXPOSE RESERVOIR.
3. REMOVE ALL WATER FROM RESERVOIR.
4. SNIP THE PLASTIC TIE STRIP.
5. PEEL BACK RUBBER GASKET FROM EXTRUSION.
6. PULL OLD PUMP FROM FOUNTAIN.
7. THREAD CORD FOR NEW PUMP THROUGH EXTRUSION AS SHOWN.
8. PLACE RUBBER GASKET OVER EXTRUSION AND SECURE BY TIGHTENING A NEW PLASTIC TIE STRIP (INCLUDED).
9. REASSEMBLE THE FOUNTAIN WITH NEW PUMP.