

MODEL: 53220TC
ASSEMBLY INSTRUCTIONS
READ AND SAVE THESE INSTRUCTIONS

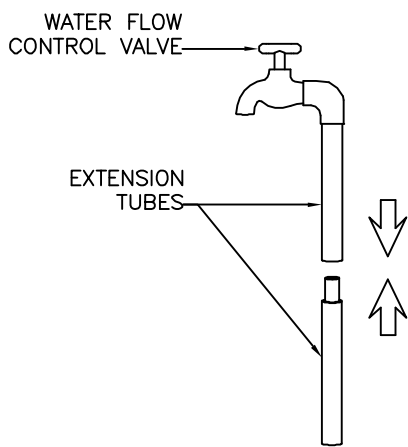
UNPACK THE FOUNTAIN

YOU SHOULD HAVE RECEIVED THE FOLLOWING PARTS:
 WATER FLOW CONTROL VALVE, (2) EXTENSION TUBES,
 RESERVOIR, PUMP WITH LIGHT, EXTRA BULB, TRANSFORMER
 AND SPLASHGUARD.

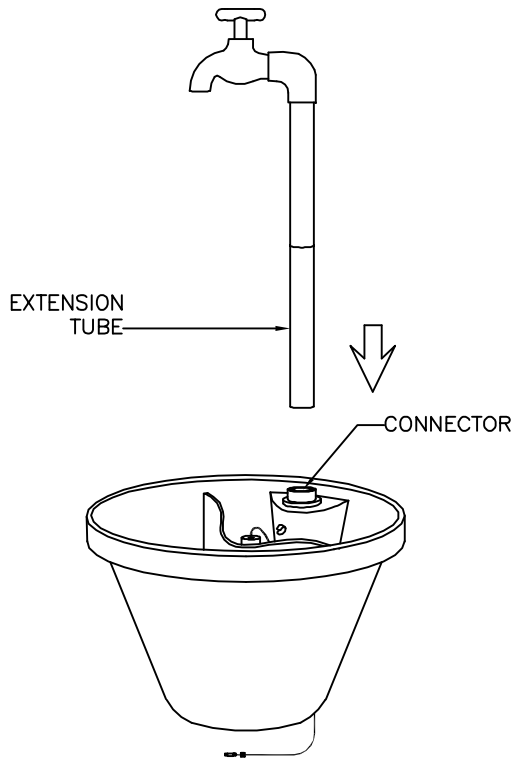
FOUNTAIN ASSEMBLY

1. JOIN THE EXTENSION TUBES TOGETHER.

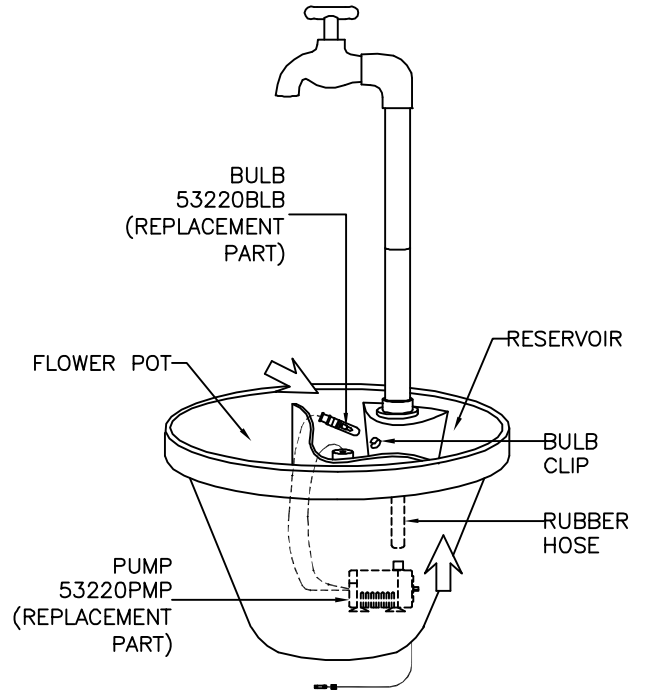
(USE ANY SINGLE LENGTH OF EXTENSION
 TUBE OR CONNECT TUBE SECTIONS TOGETHER
 TO OBTAIN DESIRED LENGTH.)



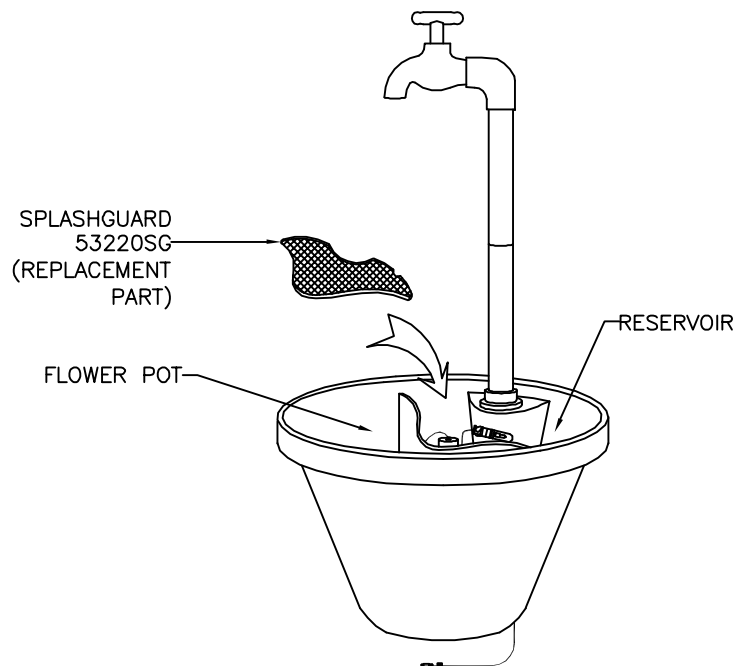
2. INSERT EXTENSION TUBE INTO CONNECTOR.



3. ATTACH PUMP TO THE RUBBER HOSE, THEN PLACE PUMP INTO RESERVOIR, MAKE SURE THE PUMP SITS FLAT IN RESERVOIR. INSERT BULB INTO BULB CLIP TO SECURE.



4. PLACE SPLASHGUARD INTO RESERVOIR.

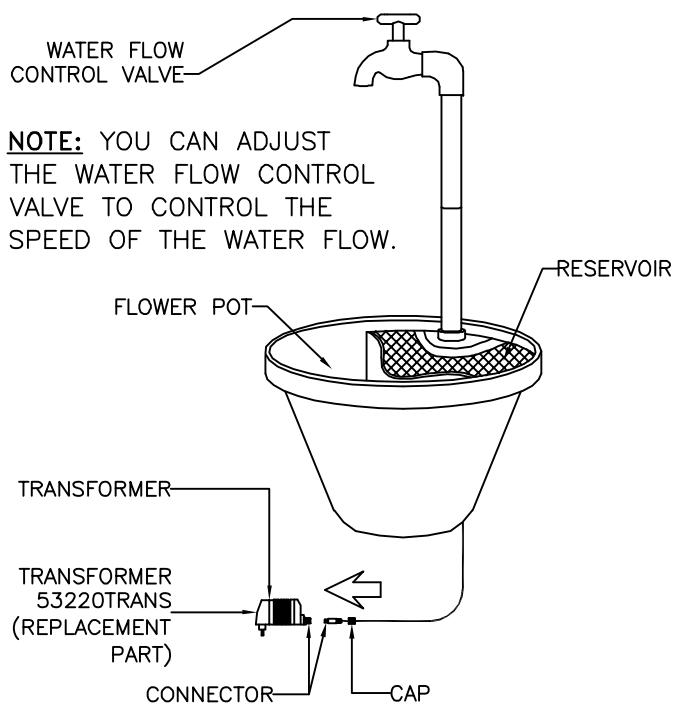


MODEL: 53220TC
ASSEMBLY INSTRUCTIONS
READ AND SAVE THESE INSTRUCTIONS

FOUNTAIN ASSEMBLY

5. FILL RESERVOIR WITH 1 GALLON OF WATER TO COMPLETELY SUBMERSE THE PUMP.
NOTE: DISTILLED WATER IS RECOMMENDED TO REDUCE MINERAL DEPOSITS AND BACTERIA BUILD-UP.

* FLOWER POT (FRONT AREA) WITH DRAINAGE FOR REAL OR ARTIFICIAL PLANTS OR FLOWERS.



NOTE: YOU CAN ADJUST THE WATER FLOW CONTROL VALVE TO CONTROL THE SPEED OF THE WATER FLOW.

6. JOIN THE CONNECTORS AT TRANSFORMER AND SCREW THE CAP TIGHTLY TOGETHER.

7. PLUG TRANSFORMER INTO OUTLET, YOUR NEW FOUNTAIN IS READY FOR USE.

AVAILABLE PARTS ARE:

- 53220PMP (PUMP)
- 53220TRANS (TRANSFORMER)
- 53220BLB (BULB)
- 53220SG (SPLASHGUARD)

TROUBLE SHOOTING:

1. IF YOUR FOUNTAIN DOES NOT WORK, CHECK PLUG AT THE SOCKET. MAKE SURE THE PLUG IS FULLY AND PROPERLY INSERTED INTO THE WALL OUTLET.
2. NEXT CHECK TO MAKE SURE THE OUTLET IS POWERED.
3. IF THE FOUNTAIN STILL DOES NOT WORK, PLEASE CONTACT YOUR DISTRIBUTOR OR PLACE OF PURCHASE.

SPLASHING DISCLAIMER:

SPLASHING MAY OCCUR WHEN FOUNTAIN IS INITIALLY TURNED ON. PROTECT SURROUNDING SURFACES AS NEEDED.

IMPORTANT PUMP INFORMATION:

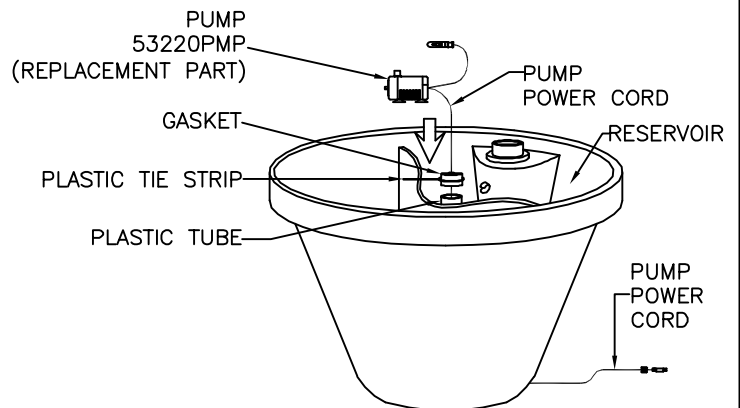
PUMP MUST BE FULLY SUBMERSED IN WATER WHILE OPERATING.

WATER:

TO REDUCE MINERAL DEPOSITS AND BACTERIA BUILD UP THE USE OF DISTILLED WATER IS RECOMMENDED.

WARNING:

- * ONCE A WEEK INSPECT FOUNTAIN, FLOOR AND ADJACENT WALL FOR MOISTURE BUILD-UP AND CLEAN AS NECESSARY. THIS IS ESPECIALLY IMPORTANT FOR HUMID ENVIRONMENTS.
- ** THIS FOUNTAIN IS RATED FOR OUTDOOR USE.
- *** THIS UNIT MUST BE CONNECTED TO A SUPPLY CIRCUIT THAT IS PROTECTED BY A GROUND FAULT CIRCUIT INTERRUPTER (GFCI). THE GFCI SHOULD BE TESTED ON A ROUTINE BASIS. TO TEST THE GFCI, PUSH THE TEST BUTTON. THE GFCI SHOULD INTERRUPT POWER. PUSH THE RESET BUTTON. POWER SHOULD BE RESTORED. IF THE GFCI FAILS TO OPERATE IN THIS MANNER, THE GFCI IS DEFECTIVE.



PUMP REPLACEMENT:

1. UNPLUG THE FOUNTAIN.
2. DISASSEMBLE THE FOUNTAIN AS NECESSARY TO EXPOSE RESERVOIR.
3. REMOVE ALL WATER FROM RESERVOIR.
4. SNIP THE PLASTIC TIE STRIP.
5. PEEL BACK RUBBER GASKET FROM PLASTIC TUBE.
6. PULL OLD PUMP FROM FOUNTAIN.
7. THREAD CORD FOR NEW PUMP THROUGH PLASTIC TUBE AS SHOWN.
8. PLACE RUBBER GASKET OVER PLASTIC TUBE AND SECURE BY TIGHTENING A NEW PLASTIC TIE STRIP (INCLUDED).
9. REASSEMBLE THE FOUNTAIN WITH NEW PUMP.