

ASSEMBLY INSTRUCTIONS

READ AND SAVE THESE INSTRUCTIONS

TOOLS: YOU WILL NEED THE FOLLOWING TOOLS OR EQUIPMENT: SCREWDRIVER, WIRE CUTTERS, PLIERS AND DRILL.

UNPACK THE MIRROR

TO PROTECT THE FINISH, PLACE ALL PARTS ON A SOFT SURFACE. YOU SHOULD HAVE RECEIVED THE FOLLOWING: MIRROR ASSEMBLY, (2) GLASS SHADES, (2) METAL RINGS, (2) SOCKET RINGS, (2) CORD COVERS, CHANNEL, (6) WOOD SCREWS, (6) PLASTIC ANCHORS AND WIRE CONNECTOR.

NOTE: IF USING POWER CORD FOLLOW INSTRUCTIONS BELOW. IF WIRING TO AN OUTLET BOX PROCEED TO NEXT PAGE.

THE MIRROR CAN BE MOUNT TO WALL WITH (4) WOOD SCREWS OR HUNG WITH STEEL WIRE.

IF MOUNT TO WALL WITH (4) WOOD SCREWS:

1. POSITION THE MIRROR ASSEMBLY ON THE WALL AT DESIRED LOCATION AND MARK THE PLACE FOR THE PLASTIC ANCHORS TO BE INSTALLED.
2. DRILL PILOT HOLES ON THE MARKED SPOTS AND INSERT PLASTIC ANCHORS. (IF FASTENING WITH WOOD SCREWS TO STUD, IGNORE THIS STEP)
3. SCREW (4) WOOD SCREWS TO THE PILOT HOLES OR THE SPOTS THAT YOU MARKED ON STUD.
4. RAISE THE MIRROR ASSEMBLY TO WALL AND INSERT WOOD SCREWS INTO KEYHOLES TO SECURE.

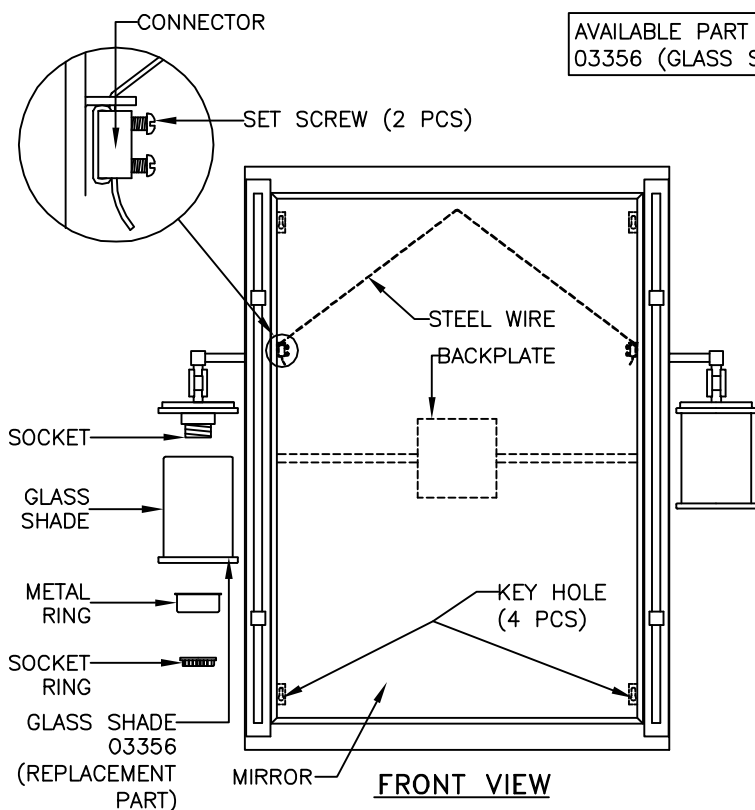
IF HUNG WITH STEEL WIRE:

1. HANG MIRROR ASSEMBLY ON WALL WITH STEEL WIRE (MOUNTING HARDWARE NOT INCLUDED).

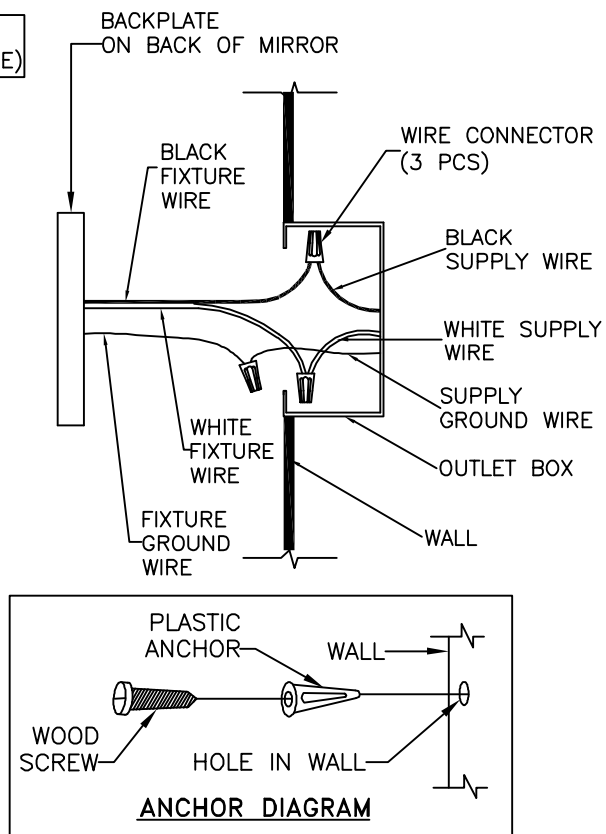
FINAL ASSEMBLY

1. TO INSTALL CORD COVER, MOUNT CHANNEL ON THE WALL WITH SCREWS AND ANCHORS. (SEE ABOVE) WITH CORD BEHIND COVERS, PRESS CORD COVERS ONTO CHANNEL.
2. PLACE A GLASS SHADE OVER EACH SOCKET, THEN SECURE WITH A METAL RING AND A SOCKET RING.
3. INSTALL A 100 WATT MAX. MEDIUM BASE TYPE "A" BULB (NOT INCLUDED) INTO EACH SOCKET.
4. PLUG THE POWER CORD INTO AN OUTLET AND TURN ON AT SWITCH.





AVAILABLE PART IS:
03356 (GLASS SHADE)



OUTLET BOX INSTALLATION

READ AND SAVE THESE INSTRUCTIONS

CAUTION: TO AVOID POSSIBLE ELECTRIC SHOCK, MAKE SURE THE ELECTRICITY IS SHUT OFF AT THE MAIN PANEL. IF YOU ARE REPLACING AN EXISTING FIXTURE, FIRST TURN THE FIXTURE OFF. NEXT, TURN THE WALL SWITCH OFF. FINALLY, GO TO THE MAIN FUSE OR BREAKER BOX IN YOUR HOME. TURN THE FUSE OR BREAKER TO THE OFF POSITION. SOME TYPES OF FUSES MUST BE UNSCREWED TO SHUT OFF THE POWER.

* ALL WIRING MUST BE DONE IN ACCORDANCE WITH NATIONAL AND LOCAL ELECTRIC CODES.

** IF YOU DO NOT HAVE ELECTRICAL WIRING EXPERIENCE, HAVE YOUR FIXTURE INSTALLED BY A QUALIFIED LICENSED ELECTRICIAN.

NOTE: IF WIRING TO OUTLET BOX FOLLOW INSTRUCTIONS BELOW. IF USING POWER CORD, PROCEED TO ASSEMBLY INSTRUCTIONS.

THE MIRROR CAN BE MOUNT TO WALL WITH (4) WOOD SCREWS OR HUNG WITH STEEL WIRE.

IF MOUNT TO WALL WITH (4) WOOD SCREWS:

1. POSITION THE MIRROR ASSEMBLY ON THE WALL AT DESIRED LOCATION AND MARK THE PLACE FOR THE PLASTIC ANCHORS TO BE INSTALLED.
2. DRILL PILOT HOLES ON THE MARKED SPOTS AND INSERT PLASTIC ANCHORS. (IF FASTENING WITH WOOD SCREWS TO STUD, IGNORE THIS STEP)
3. SCREW (4) WOOD SCREWS TO THE PILOT HOLES OR THE SPOTS THAT YOU MARKED ON STUD.

IF HUNG WITH STEEL WIRE:

1. POSITION THE MIRROR ASSEMBLY ON THE WALL AT DESIRED LOCATION AND MARK THE PLACE FOR MOUNTING HARDWARE TO BE INSTALLED. (MOUNTING HARDWARE NOT INCLUDED)

INSTALL THE MIRROR

1. REMOVE POWER CORD. (REFER TO "REMOVING THE POWER CORD" INSTRUCTIONS).
2. CONNECT THE WHITE OR RIBBED FIXTURE WIRE TO THE WHITE SUPPLY WIRE IN THE OUTLET BOX USING THE TWIST-ON WIRE CONNECTOR PROVIDED. CONNECT THE BLACK OR SMOOTH FIXTURE WIRE TO THE BLACK SUPPLY WIRE IN THE SAME MANNER. CONNECT THE FIXTURE GROUND WIRE TO THE SUPPLY GROUND WIRE IN THE OUTLET BOX USING THE TWIST-ON WIRE CONNECTOR PROVIDED.

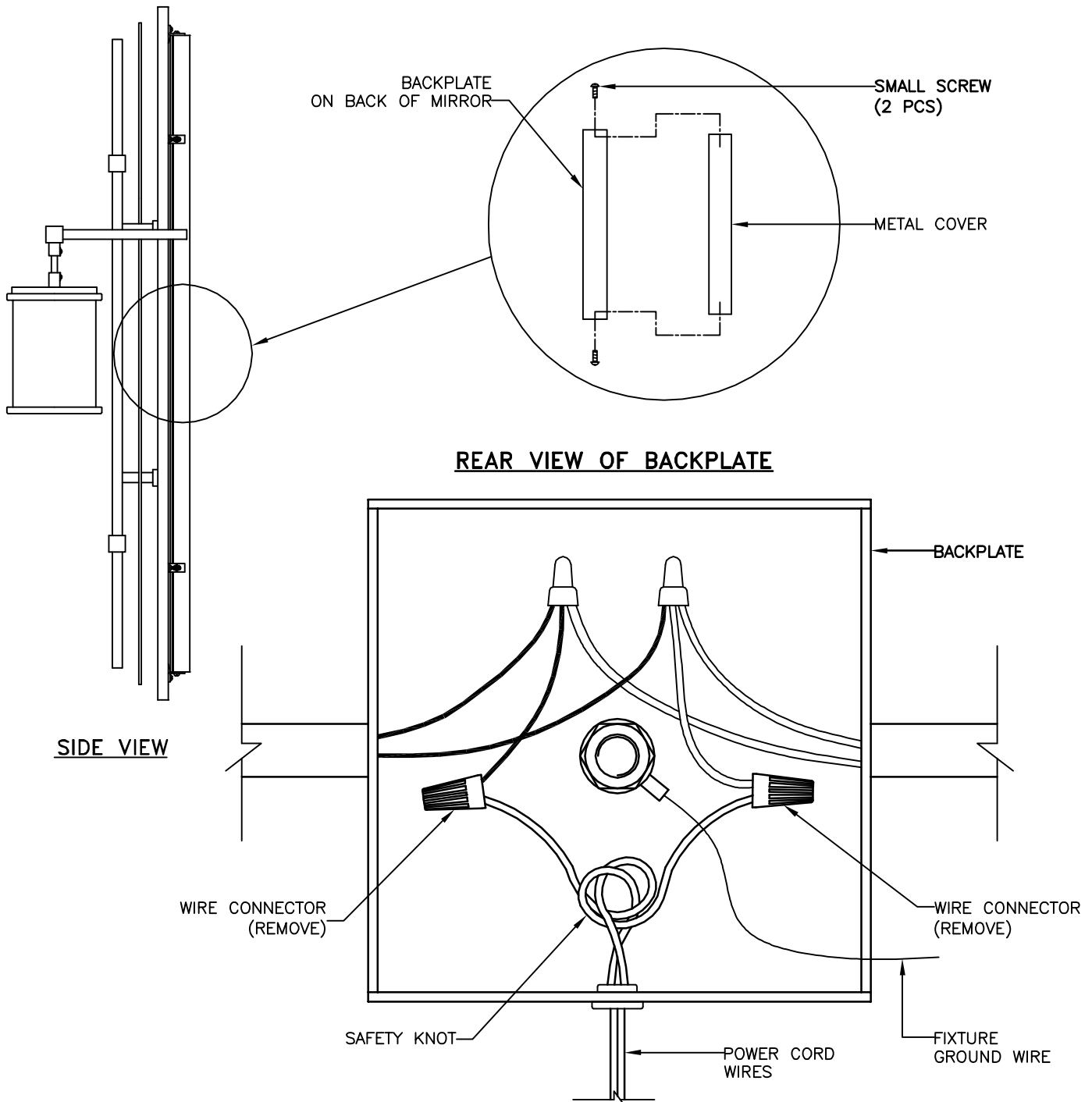
IF MOUNT TO WALL WITH (4) WOOD SCREWS:

- 3A. RAISE THE MIRROR ASSEMBLY TO WALL AND INSERT WOOD SCREWS INTO KEYHOLES TO SECURE. CAREFULLY TUCK THE WIRES INSIDE THE OUTLET BOX.

IF HUNG WITH STEEL WIRE:

- 3B. HANG MIRROR ASSEMBLY ON WALL WITH STEEL WIRE (MOUNTING HARDWARE NOT INCLUDED). CAREFULLY TUCK THE WIRES INSIDE THE OUTLET BOX.
4. PLACE A GLASS SHADE OVER EACH SOCKET, THEN SECURE WITH A METAL RING AND A SOCKET RING.
5. INSTALL A 100 WATT MAX. MEDIUM BASE TYPE "A" BULB (NOT INCLUDED) INTO EACH SOCKET.
6. RESTORE POWER, YOUR NEW FIXTURE IS NOW READY TO USE.





REMOVING THE POWER CORD

* THE POWER CORD IS THE WIRE THAT ENTER THROUGH THE BOTTOM OF BACKPLATE.

1. REMOVE THE METAL COVER FROM BACKPLATE ON BACK OF MIRROR BY UNSCREWING THE (2) SMALL SCREWS.
2. REMOVE THE (2) WIRE CONNECTORS THAT CONNECT TO POWER CORD BY TWISTING COUNTER CLOCKWISE. (SEE DIAGRAM)
3. UNTIE SAFETY KNOT AND PULL POWER CORD OUT THROUGH BOTTOM OF BACKPLATE.
4. FOLLOW INSTRUCTIONS ON OUTLET BOX INSTALLATION FOR WIRING TO AN OUTLET BOX.

