

## ASSEMBLY INSTRUCTIONS

### READ AND SAVE THESE INSTRUCTIONS

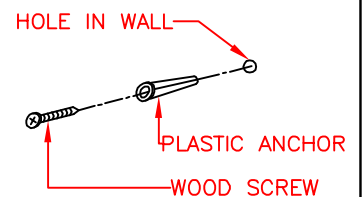
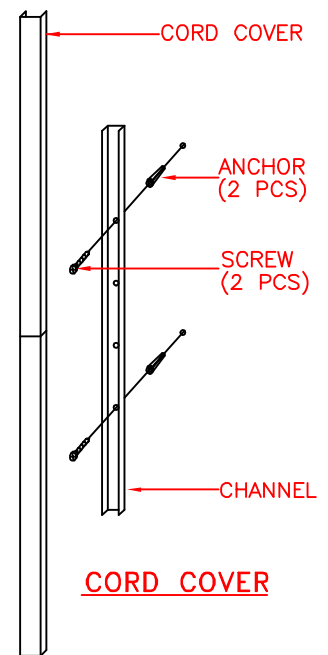
**TOOLS:** YOU WILL NEED THE FOLLOWING TOOLS OR EQUIPMENT: SCREWDRIVER, WIRE CUTTERS, PLIERS AND DRILL.

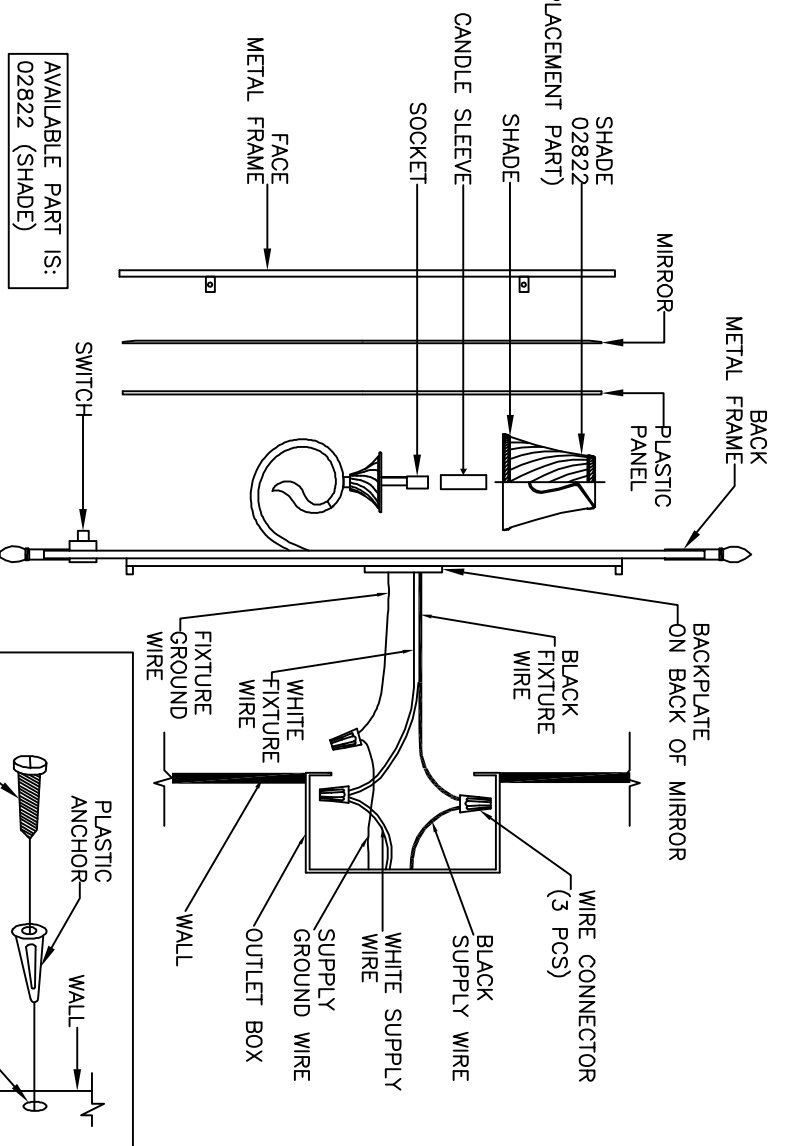
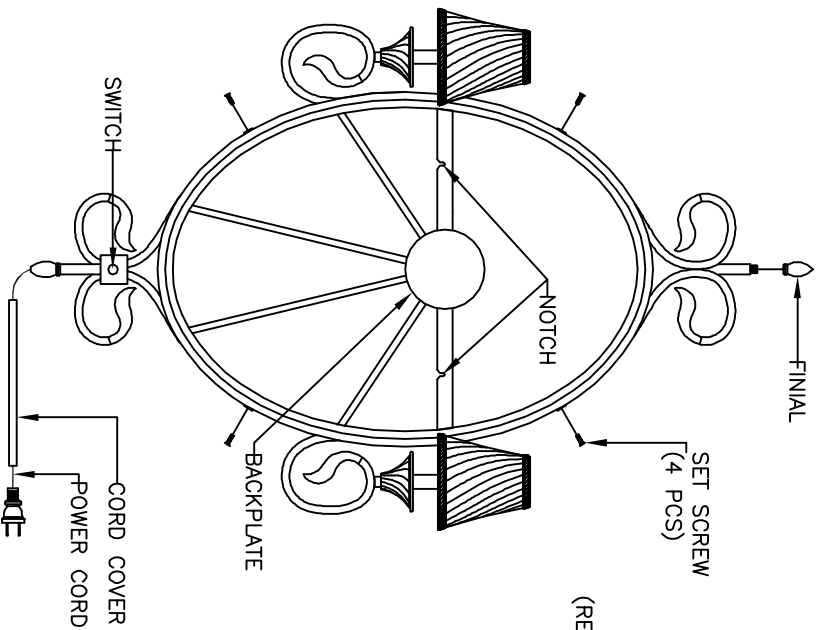
**UNPACK THE MIRROR:** TO PROTECT THE FINISH, PLACE ALL PARTS ON A SOFT SURFACE. YOU SHOULD HAVE RECEIVED THE FOLLOWING: FINIAL, BACK METAL FRAME, PLASTIC PANEL, MIRROR, FACE METAL FRAME, (4) SET SCREWS, (2) SHADES, (2) CANDLE SLEEVES, (2) CORD COVERS, CHANNEL, (4) WOOD SCREWS, (4) PLASTIC ANCHORS AND WIRE CONNECTOR.

**NOTE: IF USING POWER CORD FOLLOW INSTRUCTIONS BELOW. IF WIRING TO AN OUTLET BOX PROCEED TO NEXT PAGE.**

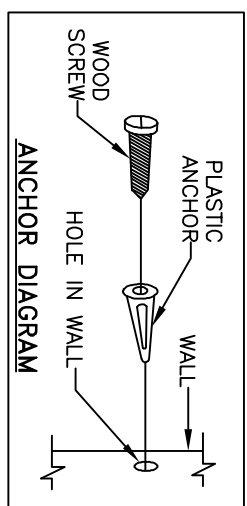
#### MIRROR ASSEMBLY:

1. POSITION THE BACK METAL FRAME ON THE WALL AT DESIRED LOCATION AND MARK THE PLACE FOR THE PLASTIC ANCHORS TO BE INSTALLED.
2. DRILL PILOT HOLES ON THE MARKED SPOTS AND INSERT PLASTIC ANCHORS. (IF FASTENING WITH WOOD SCREWS TO STUD, IGNORE THIS STEP)
3. SCREW (2) WOOD SCREWS TO THE PILOT HOLES OR THE SPOTS THAT YOU MARKED ON STUD.
4. SCREW FINIAL TO TOP OF THE BACK METAL FRAME, THEN RAISE THE BACK METAL FRAME TO WALL AND INSERT WOOD SCREWS INTO NOTCHS TO SECURE.
5. PLACE PLASTIC PANEL AND MIRROR INTO BACK METAL FRAME, THEN ATTACH FACE METAL FRAME TO BACK METAL FRAME AND SECURE WITH (4) SET SCREWS.
6. TO INSTALL CORD COVER, MOUNT CHANNEL ON THE WALL WITH SCREWS AND ANCHORS. (SEE ABOVE) WITH CORD BEHIND COVERS, PRESS CORD COVERS ONTO CHANNEL.
7. SLIDE A CANDLE SLEEVE OVER EACH SOCKET, THEN INSTALL A 60 WATT MAXIMUM CANDELABRA BASE TYPE "B" BULB (NOT INCLUDED) INTO EACH SOCKET.
8. ATTACH A SHADE TO EACH BULB BY SLIDING THE CLIP OF THE SHADE OVER THE BULB.
9. PLUG POWER CORD INTO AN OUTLET AND TURN ON AT SWITCH.





AVAILABLE PART IS:  
02822 (SHADE)



## OUTLET BOX INSTALLATION

### READ AND SAVE THESE INSTRUCTIONS

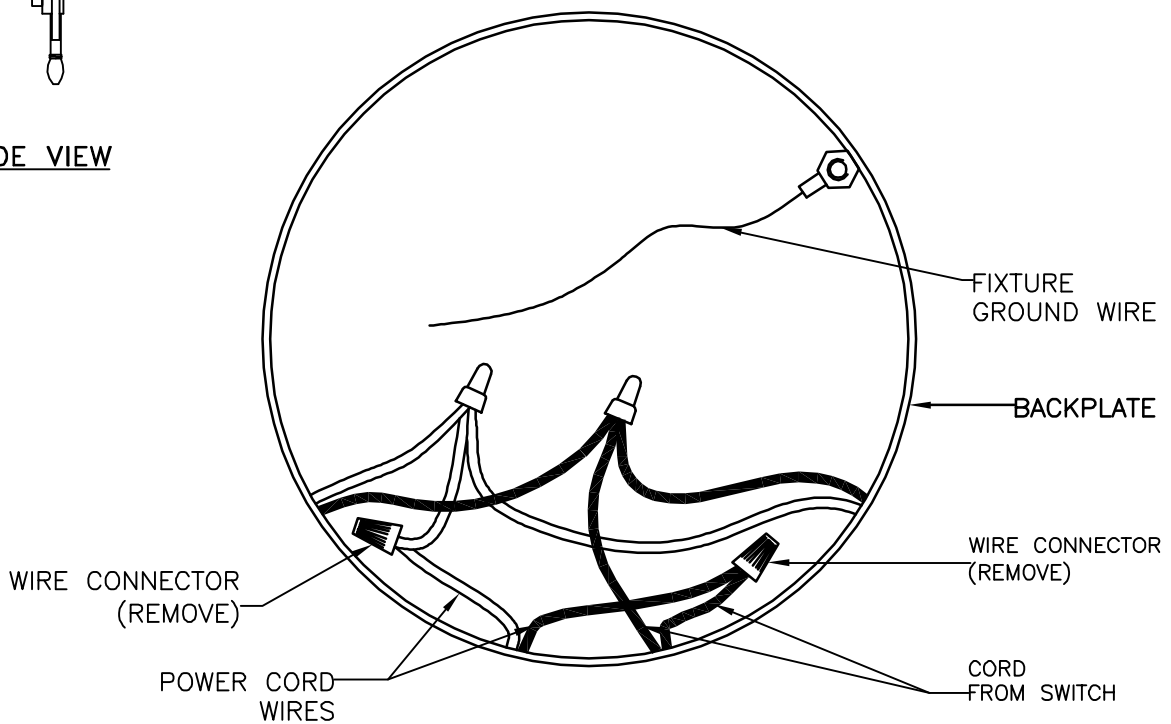
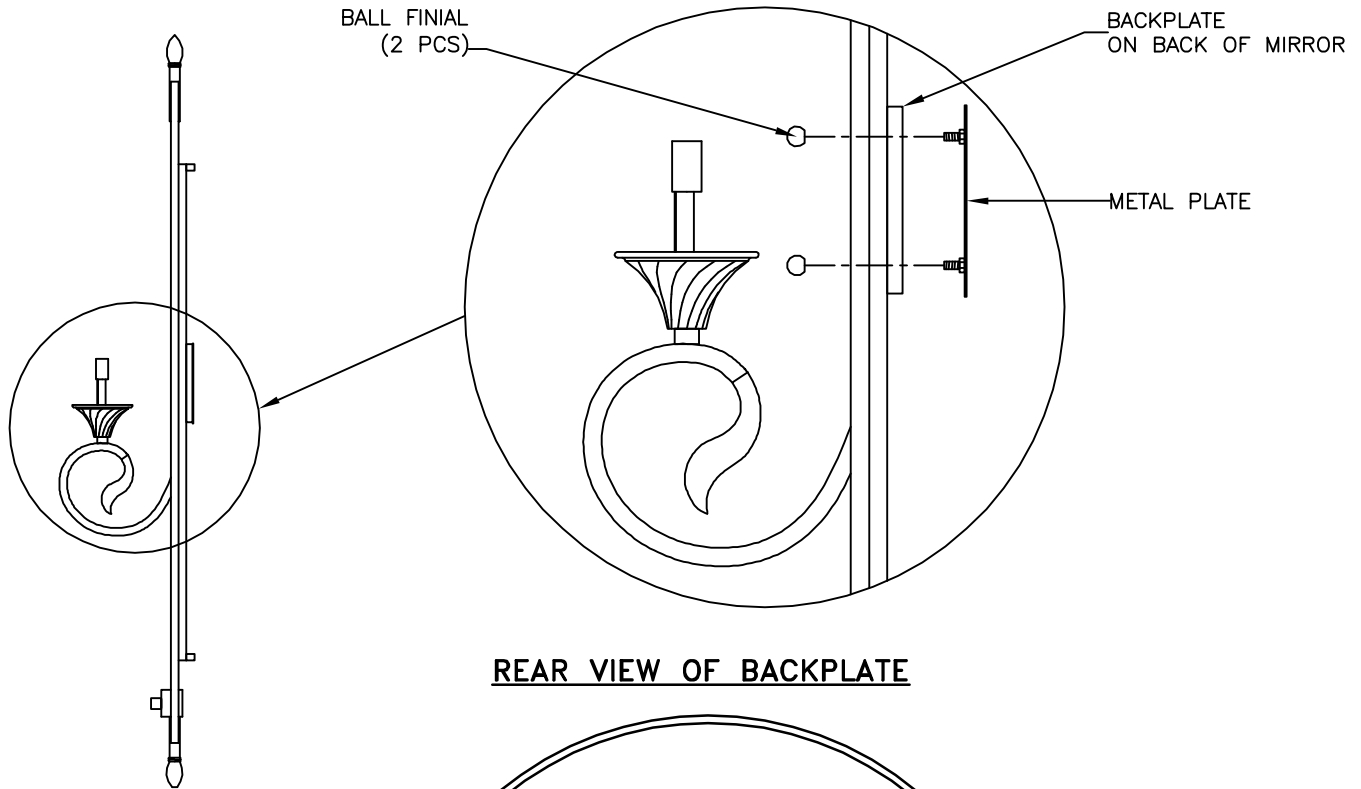
**CAUTION:** TO AVOID POSSIBLE ELECTRIC SHOCK, MAKE SURE THE ELECTRICITY IS SHUT OFF AT THE MAIN PANEL. IF YOU ARE REPLACING AN EXISTING FIXTURE, FIRST TURN THE FIXTURE OFF. NEXT, TURN THE WALL SWITCH OFF. FINALLY, GO TO THE MAIN FUSE OR BREAKER BOX IN YOUR HOME. TURN THE FUSE OR BREAKER TO THE OFF POSITION. SOME TYPES OF FUSES MUST BE UNSCREWED TO SHUT OFF THE POWER.

\* ALL WIRING MUST BE DONE IN ACCORDANCE WITH NATIONAL AND LOCAL ELECTRIC CODES.  
\*\* IF YOU DO NOT HAVE ELECTRICAL WIRING EXPERIENCE, HAVE YOUR FIXTURE INSTALLED BY A QUALIFIED LICENSED ELECTRICIAN.

### NOTE: IF WIRING TO OUTLET BOX FOLLOW INSTRUCTIONS BELOW. IF USING POWER CORD, PROCEED TO ASSEMBLY INSTRUCTIONS.

1. POSITION THE BACK METAL FRAME ON THE WALL AT DESIRED LOCATION AND MARK THE PLACE FOR THE PLASTIC ANCHORS TO BE INSTALLED.
2. DRILL PILOT HOLES ON THE MARKED SPOTS AND INSERT PLASTIC ANCHORS. (IF FASTENING WITH WOOD SCREWS TO STUD, IGNORE THIS STEP)
3. SCREW (2) WOOD SCREWS TO THE PILOT HOLES OR THE SPOTS THAT YOU MARKED ON STUD.
4. REMOVE POWER CORD. (REFER TO "REMOVING THE POWER CORD" INSTRUCTIONS).
5. CONNECT THE WHITE OR RIBBED FIXTURE WIRE TO THE WHITE SUPPLY WIRE IN THE OUTLET BOX USING THE TWIST-ON WIRE CONNECTOR PROVIDED. CONNECT THE BLACK OR SMOOTH FIXTURE WIRE TO THE BLACK SUPPLY WIRE IN THE SAME MANNER. CONNECT THE FIXTURE GROUND WIRE TO THE SUPPLY GROUND WIRE IN THE OUTLET BOX USING THE TWIST-ON WIRE CONNECTOR PROVIDED.
6. SCREW FINIAL TO TOP OF THE BACK METAL FRAME, THEN RAISE THE BACK METAL FRAME TO WALL AND INSERT WOOD SCREWS INTO NOTCHES TO SECURE.
7. PLACE PLASTIC PANEL AND MIRROR INTO BACK METAL FRAME, THEN ATTACH FACE METAL FRAME TO BACK METAL FRAME AND SECURE WITH (4) SET SCREWS.
8. TO INSTALL CORD COVER, MOUNT CHANNEL ON THE WALL WITH SCREWS AND ANCHORS. (SEE ABOVE) WITH CORD BEHIND COVERS, PRESS CORD COVERS ONTO CHANNEL.
9. SLIDE A CANDLE SLEEVE OVER EACH SOCKET, THEN INSTALL A 60 WATT MAXIMUM CANDELABRA BASE TYPE "B" BULB (NOT INCLUDED) INTO EACH SOCKET.
10. ATTACH A SHADE TO EACH SOCKET BY SLIDING THE CLIP OF THE SHADE OVER THE BULB.
11. TURN ON AT SWITCH AND YOUR VANITY MIRROR IS READY TO USE.





### **REMOVING THE POWER CORD**

\* THE POWER CORD IS THE WIRE THAT ENTER THROUGH THE BOTTOM OF BACKPLATE.

1. REMOVE THE METAL PLATE FROM BACKPLATE ON BACK OF MIRROR BY UNSCREWING (2) BALL FINIALS.
2. REMOVE THE (2) WIRE CONNECTORS THAT CONNECT TO POWER CORD BY TWISTING COUNTER CLOCKWISE. (SEE DIAGRAM)
3. PULL POWER CORD OUT THROUGH BOTTOM OF BACK METAL FRAME.
4. FOLLOW INSTRUCTIONS ON OUTLET BOX INSTALLATION FOR WIRING TO AN OUTLET BOX.

