

FRONT VIEW

SIDE VIEW

AVAILABLE PARTS ARE:
 91150GS (GLASS SHADE)
 90792TOOL (WRENCH)

ASSEMBLY INSTRUCTIONS

READ AND SAVE THESE INSTRUCTIONS

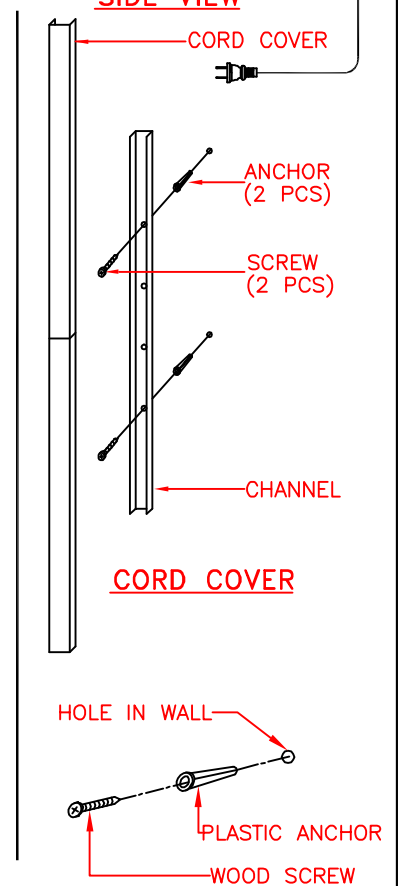
TOOLS: YOU WILL NEED THE FOLLOWING TOOLS OR EQUIPMENT: SCREWDRIVER, WIRE CUTTERS, PLIERS AND DRILL.

UNPACK THE MIRROR: TO PROTECT THE FINISH, PLACE ALL PARTS ON A SOFT SURFACE. YOU SHOULD HAVE RECEIVED THE FOLLOWING: BACK METAL FRAME, WOOD PANEL, MIRROR, FACE METAL FRAME, (6) SET SCREWS, (2) GLASS SHADES, (2) METAL RINGS, WRENCH, (2) SOCKET RINGS, (2) CORD COVERS, CHANNEL, (4) WOOD SCREWS, (4) PLASTIC ANCHORS AND WIRE CONNECTOR.

NOTE: IF USING POWER CORD FOLLOW INSTRUCTIONS BELOW. IF WIRING TO AN OUTLET BOX PROCEED TO NEXT PAGE.

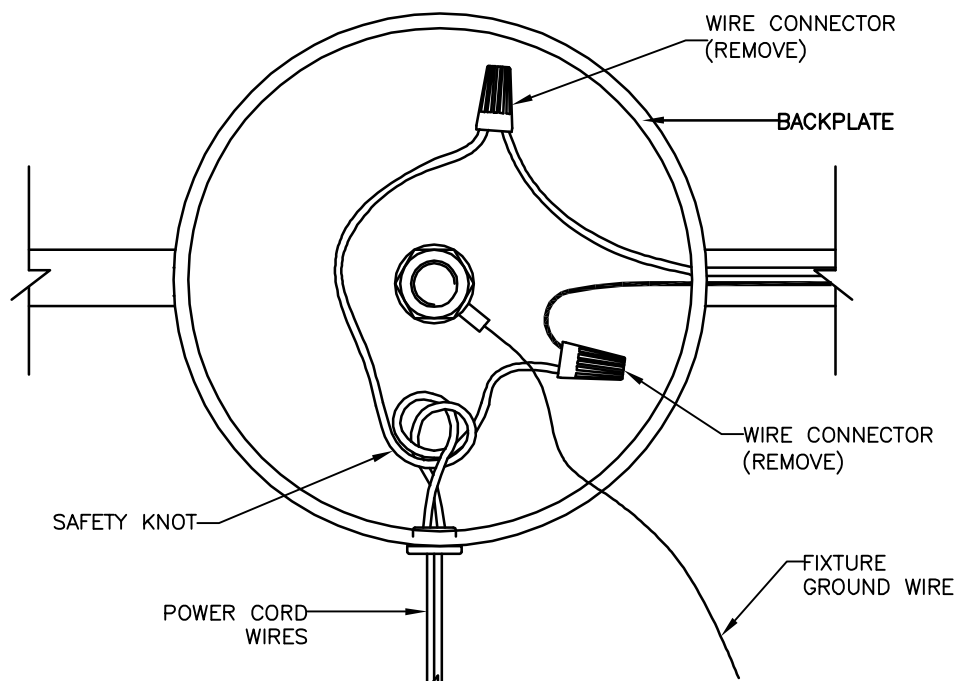
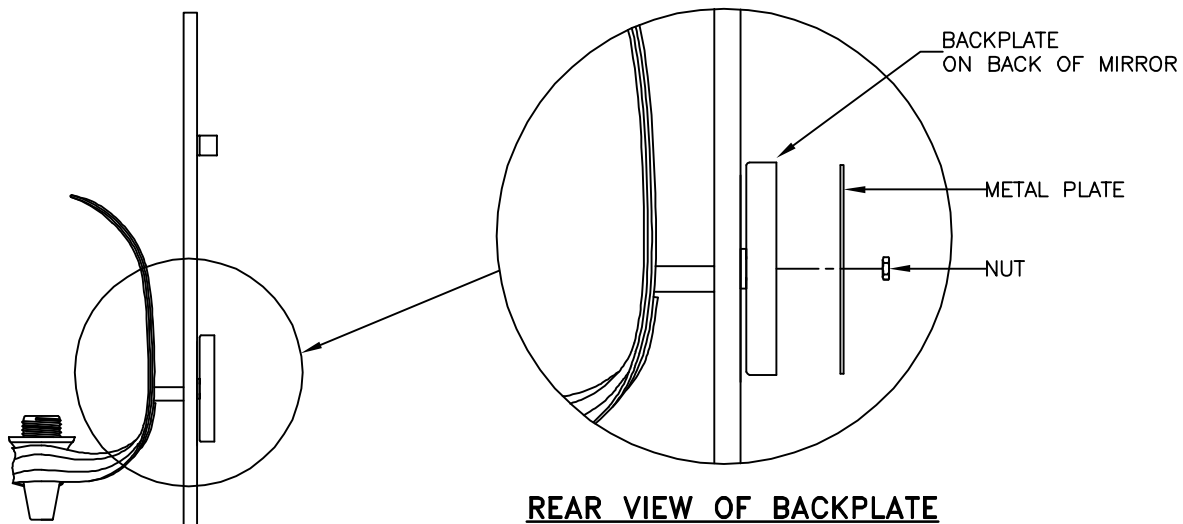
MIRROR ASSEMBLY:

1. POSITION THE BACK METAL FRAME ON THE WALL AT DESIRED LOCATION AND MARK THE PLACE FOR THE PLASTIC ANCHORS TO BE INSTALLED.
2. DRILL PILOT HOLES ON THE MARKED SPOTS AND INSERT PLASTIC ANCHORS. (IF FASTENING WITH WOOD SCREWS TO STUD, IGNORE THIS STEP)
3. SCREW (2) WOOD SCREWS TO THE PILOT HOLES OR THE SPOTS THAT YOU MARKED ON STUD.
4. RAISE THE BACK METAL FRAME TO WALL AND INSERT WOOD SCREWS INTO KEY HOLES TO SECURE.
5. PLACE WOOD PANEL AND MIRROR INTO BACK METAL FRAME, THEN ATTACH FACE METAL FRAME TO BACK METAL FRAME AND SECURE WITH (6) SET SCREWS.
6. TO INSTALL CORD COVER, MOUNT CHANNEL ON THE WALL WITH SCREWS AND ANCHORS. (SEE ABOVE) WITH CORD BEHIND COVERS, PRESS CORD COVERS ONTO CHANNEL.
7. PLACE A GLASS SHADE OVER EACH SOCKET, THEN SECURE WITH A METAL RING AND A SOCKET RING. (WRENCH INCLUDED)
8. INSTALL A 60 WATT MAX. MEDIUM BASE TYPE "A" BULB (NOT INCLUDED) INTO EACH SOCKET.
9. PLUG THE POWER CORD INTO AN OUTLET AND TURN ON AT SWITCH.



CORD COVER





REMOVING THE POWER CORD

* THE POWER CORD IS THE WIRE THAT ENTER THROUGH THE BOTTOM OF BACKPLATE.

1. REMOVE THE METAL PLATE FROM BACKPLATE ON BACK OF MIRROR BY UNSCREWING THE NUT.
2. REMOVE THE (2) WIRE CONNECTORS THAT CONNECT TO POWER CORD BY TWISTING COUNTER CLOCKWISE. (SEE DIAGRAM)
3. UNTIE SAFETY KNOT AND PULL POWER CORD OUT THROUGH BOTTOM OF BACKPLATE.
4. FOLLOW INSTRUCTIONS ON OUTLET BOX INSTALLATION FOR WIRING TO AN OUTLET BOX.

